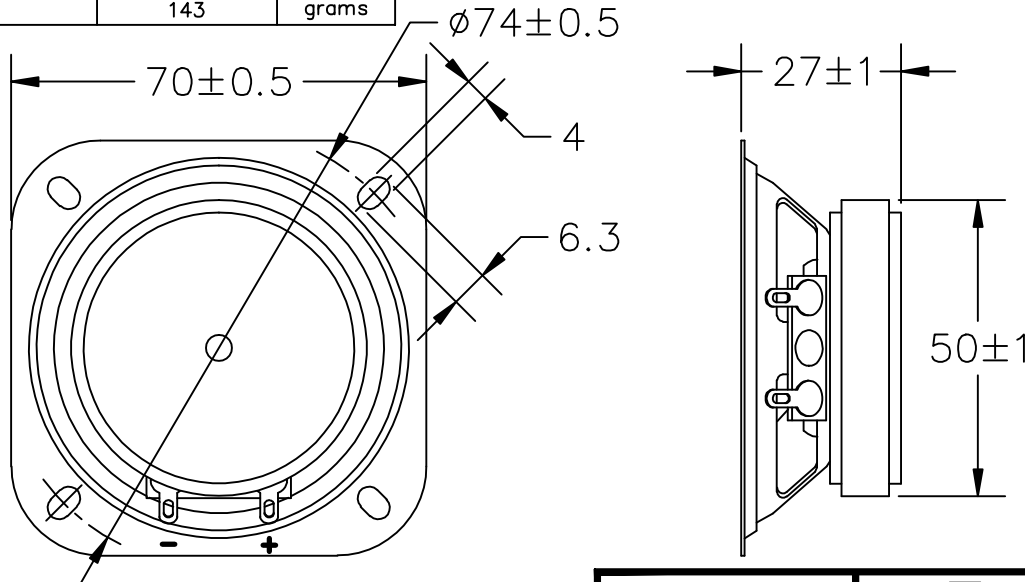


THIS DOCUMENT CONTAINS DATA PROPRIETARY TO PROJECTS UNLIMITED, INC. ANY USE OR REPRODUCTION, IN ANY FORM, WITHOUT PRIOR WRITTEN PERMISSION OF PROJECTS UNLIMITED, INC. IS PROHIBITED.
©2005, Projects Unlimited Inc.

SPECIFICATIONS

| PARAMETERS | VALUES | UNITS |
|--|---------------|-------|
| RATED INPUT POWER | 2 | W |
| MAX INPUT POWER | 4 | W |
| IMPEDANCE | 8±15% | OHM |
| OUTPUT SPL @ 1W/1M (AT 0.6, .8, 1.0, 1.2 1.5 kHz) | 86±3 | dB |
| DISTORTION (MAX.) | 7% | - |
| RESONANT FREQUENCY | 300±20% | Hz |
| FREQUENCY RANGE | 300 ~ 20,000 | Hz |
| HOUSING MATERIAL | METAL | - |
| CONE MATERIAL | TREATED PAPER | - |
| MAGNET MATERIAL | FERRITE | - |
| OPERATING TEMPERATURE | -25 ~ +55 | °C |
| WEIGHT | 143 | grams |


| REVISIONS | | | |
|-----------|---------------------------|---------|----------|
| LTR | DESCRIPTION | DATE | APPROVED |
| - | RELEASED FROM ENGINEERING | 9/25/06 | |



NOTES:

1. ALL DIMENSIONS ARE IN MILLIMETERS.
2. SPECIFICATION SUBJECT TO CHANGE OR WITHDRAWAL WITHOUT NOTICE.
3. THIS PART IS RoHS 2002/95/EC COMPLIANT.
4. CONE HAS BEEN TREATED FOR WATER RESISTANCE.

FILE NAME
AS07008PS-WR-R.DWG

| UNLESS OTHERWISE SPECIFIED: DIMENSIONS ARE IN MILLIMETERS, TOLERANCES ARE ±0.5 AND ANGLES ARE ±3°. | |  projects® unlimited Dayton, Ohio | | | | | | | | | |
|--|------|---|--------------|-------------------|------|---------------------|------|----------------------|------|------------------|--|
| <table border="1"> <thead> <tr> <th>APPROVALS</th> <th>DATE</th> </tr> </thead> <tbody> <tr> <td>DRAWN <i>J.D.</i></td> <td>9/06</td> </tr> <tr> <td>CHECKED <i>B.R.</i></td> <td>9/06</td> </tr> <tr> <td>APPROVED <i>R.W.</i></td> <td>9/06</td> </tr> </tbody> </table> | | APPROVALS | DATE | DRAWN <i>J.D.</i> | 9/06 | CHECKED <i>B.R.</i> | 9/06 | APPROVED <i>R.W.</i> | 9/06 | <h1>SPEAKER</h1> | |
| APPROVALS | DATE | | | | | | | | | | |
| DRAWN <i>J.D.</i> | 9/06 | | | | | | | | | | |
| CHECKED <i>B.R.</i> | 9/06 | | | | | | | | | | |
| APPROVED <i>R.W.</i> | 9/06 | | | | | | | | | | |
| DRAWING NO. AS07008PS-WR-R | | SIZE A | | | | | | | | | |
| DO NOT SCALE DRAWING | | SCALE: N.T.S. | SHEET 1 OF 1 | | | | | | | | |